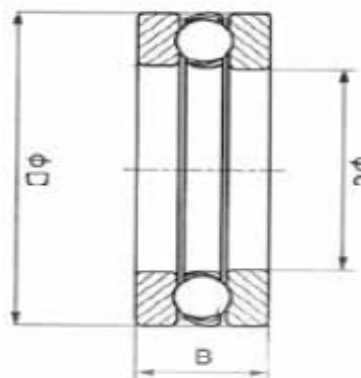


51100 Series



Part No.	d	D	B	Dynamic load (kN)	Static load (kN)	N.W. (kg)
51100	10	24	9	10	14	0.02
51101	12	26	9	10.3	15.4	0.022
51102	15	28	9	10.5	16.8	0.024
51103	17	30	9	10.8	18.2	0.028
51104	20	35	10	14.3	24.7	0.04
51105	25	42	11	19.5	37	0.059
51106	30	47	11	20.4	42	0.068
51107	35	52	12	20.4	44.5	0.085
51108	40	60	13	28.9	63	0.12
51109	45	65	14	27.8	69	0.15
51110	50	70	14	28.8	75.5	0.16
51113	65	90	18	41.5	117	0.34
51114	70	95	18	43	127	0.36

51200 Series

Part No.	d	D	B	Dynamic load (kN)	Static load (kN)	N.W. (kg)
51202	15	32	12	16.6	24.8	0.046
51203	17	35	12	17.1	27.3	0.053
51204	20	40	14	22.2	27.5	0.082
51205	25	47	15	27.8	50.5	0.12
51206	30	52	16	29.3	58	0.15
51207	35	62	18	39	78	0.22
51208	40	68	19	47	98.5	0.27
51209	45	73	20	47.5	105	0.32
51210	50	78	22	48.5	112	0.39
51211	55	90	25	69.5	159	0.61
51212	60	95	26	73.5	179	0.69
51213	65	100	27	75	189	0.77
51214	70	105	27	76	199	0.81
51215	75	110	27	77.5	209	0.86